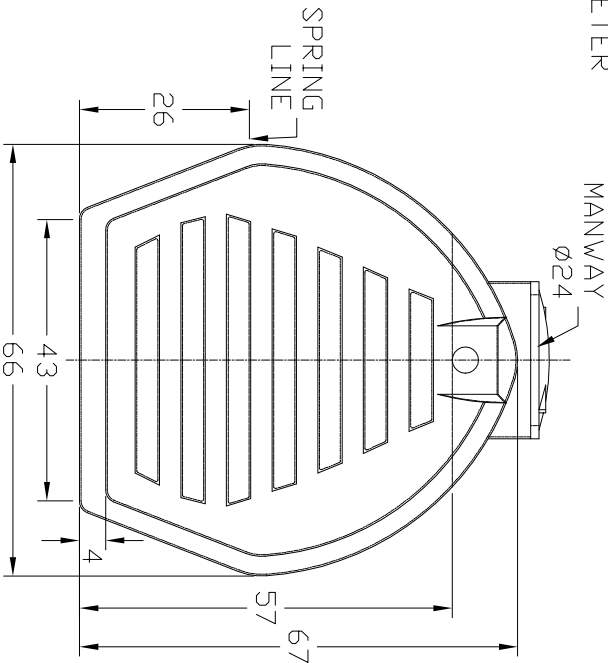
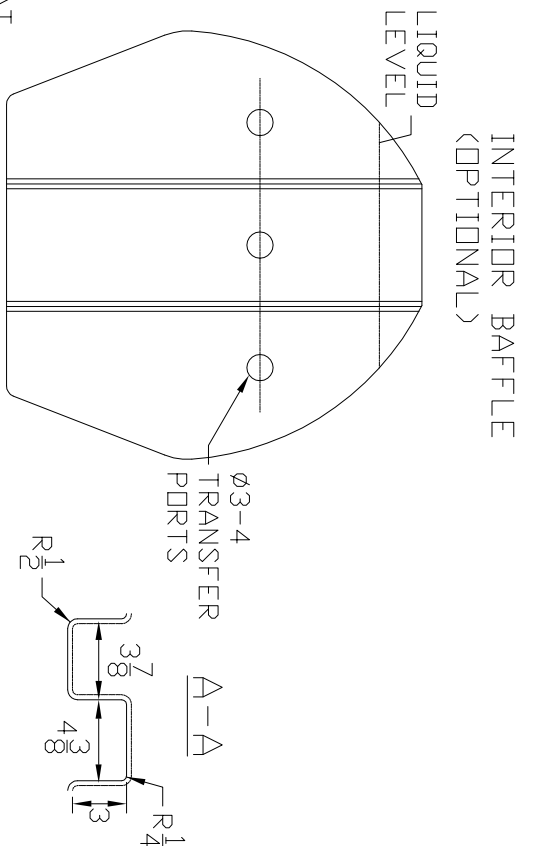
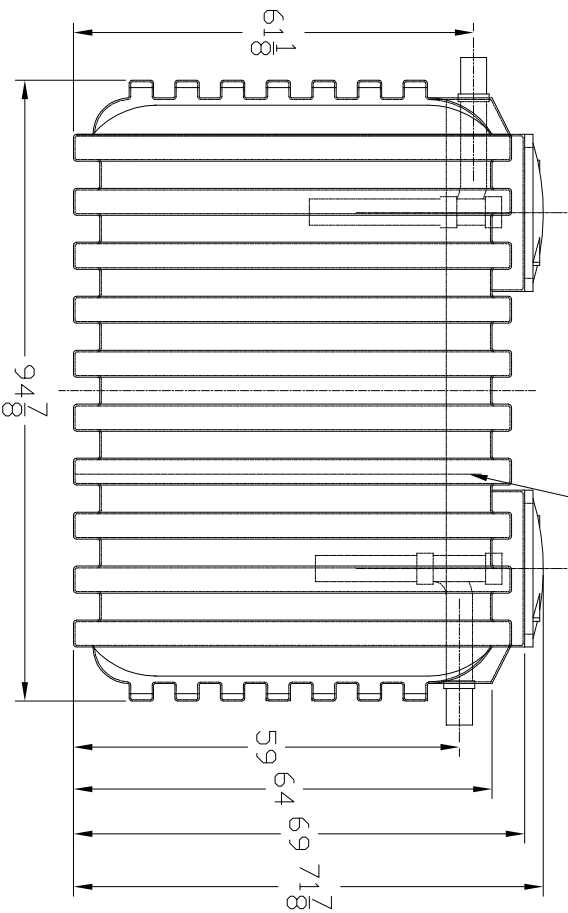


BAFFLE (OPTIONAL)  
TO BE HEAT WELDED TO TANK AT  
4 PLACES AROUND PERIMETER



THIS DRAWING & DESIGN IS THE PROPERTY OF CHEM-TAINER INDUSTRIES INC. IT MAY NOT BE USED FOR ANY PURPOSE OTHER THAN BY THE OWNER. CHEM-TAINER DOES NOT AUTHORIZE THE REPRODUCTION OR CONVEYANCE OF ANY INFORMATION CONTAINED HEREIN.

ALL DIMENSIONS SHOWN ARE OUTSIDE PART DIMENSIONS IN INCHES, AND VARY BY THE STANDARD ROTATIONAL MOLDING TOLERANCE OF +2/-3%.

Rev. 0	Date 03/15/01	File Name	W/T1000-H
<b>CHEM-TAINER</b>		Date	03/15/01
Industries Inc.		Drawn By:	IJA
361 Neptune Ave.		Mold Location	H
W.Babylon, NY 11704		Cust. Rep.	
(631) 661-8300			
Fax: (631) 661-8209			
TITLE			
1000 GAL. BELOW GROUND WATER STORAGE TANK			
Part #	Dwg. #		
TC1000WT	C-1000-2H		