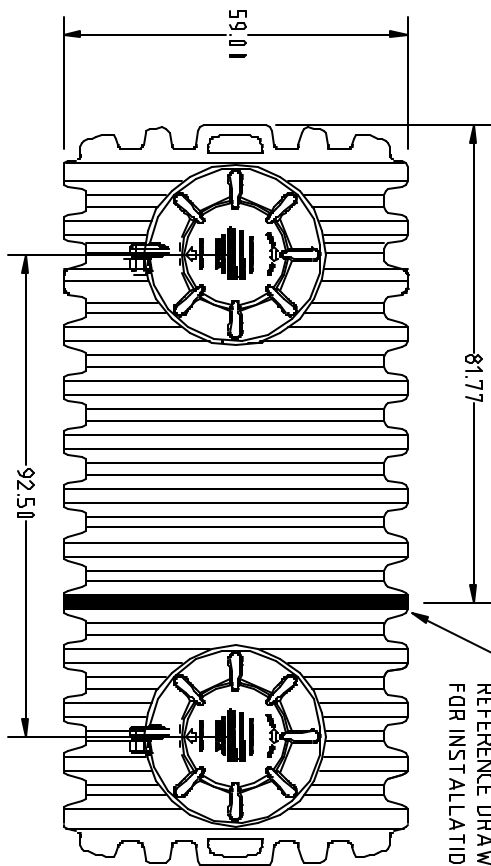


FACTORY INSTALLED DIVIDER PANEL  
 REFERENCE DRAWING 19233  
 FOR INSTALLATION DETAILS

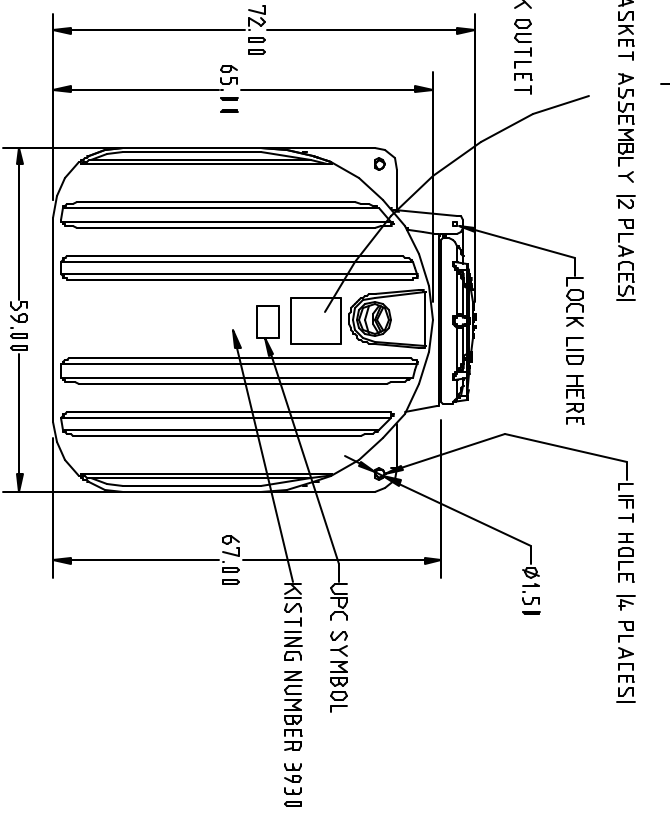
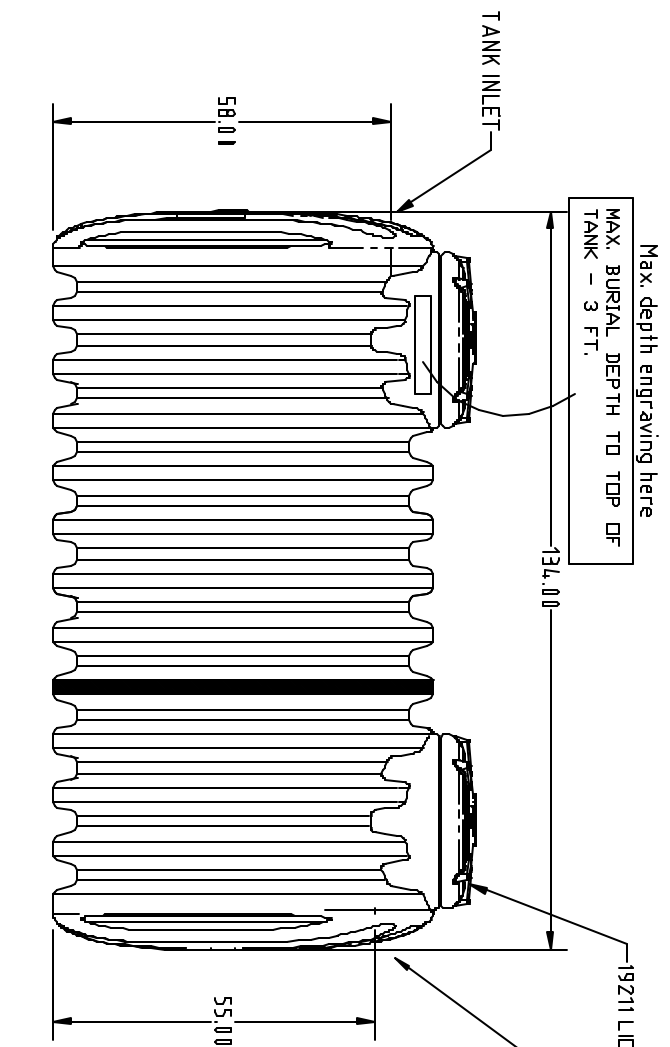
REFERENCE PUBLICATION 10039 FOR SEPTIC  
 TANKS OR PUBLICATION 10149 FOR CISTERN  
 TANKS FOR SPECIFIC INSTALLATION  
 GUIDELINES.



Typical Engraving  
 Ace Roto Mold  
 A Division of  
 Den Hartog Industries, Inc.  
 TANK CAPACITY \_\_\_\_\_ 1251 Gallons  
 DATE OF MANUFACTURE \_\_\_\_\_  
 DATE OF ASSEMBLY \_\_\_\_\_ Month / Year molded  
 SERIAL NUMBER \_\_\_\_\_ Month / Year assembled  
 STATE / LOCATION \_\_\_\_\_  
 Sequential serial number

**DEN HARTOG INDUSTRIES, INC.**  
 Copyright: All information furnished within this document,  
 electronic file or design correspondence is the property of  
 Den Hartog Industries, Inc. and shall not be used, disclosed  
 to others or copied without the expressed written consent of  
 Den Hartog Industries, Inc.

State assembled for (if applicable)



REV	DESCRIPTION	DATE	APPRD	DRAWN / DATE	MATERIAL
A	ADDED PUBLICATION REF	9/30/15	NVE	REH / 3/15/14	EXXON HIGRAH HDPE OR EQUIVALENT REFER TO MATERIAL DATA SHEET FOR SPECIFIC PROPERTIES.

CLIENT / DESCRIPTION	1500 GAL. TWO COMPARTMENT SEPTIC TANK
SCALE	N.S.
PART NO.	AST-1500-2

ALL DIMENSIONS ARE IN DECIMAL INCHES  
 TOLERANCES UNLESS OTHERWISE SPECIFIED  
 + 1% @ 68° F

THIRD ANGLE PRACTICE  
 ANSI X3.11

**Ace Roto-Mold**  
 A DIVISION OF DEN HARTOG INDUSTRIES, INC.