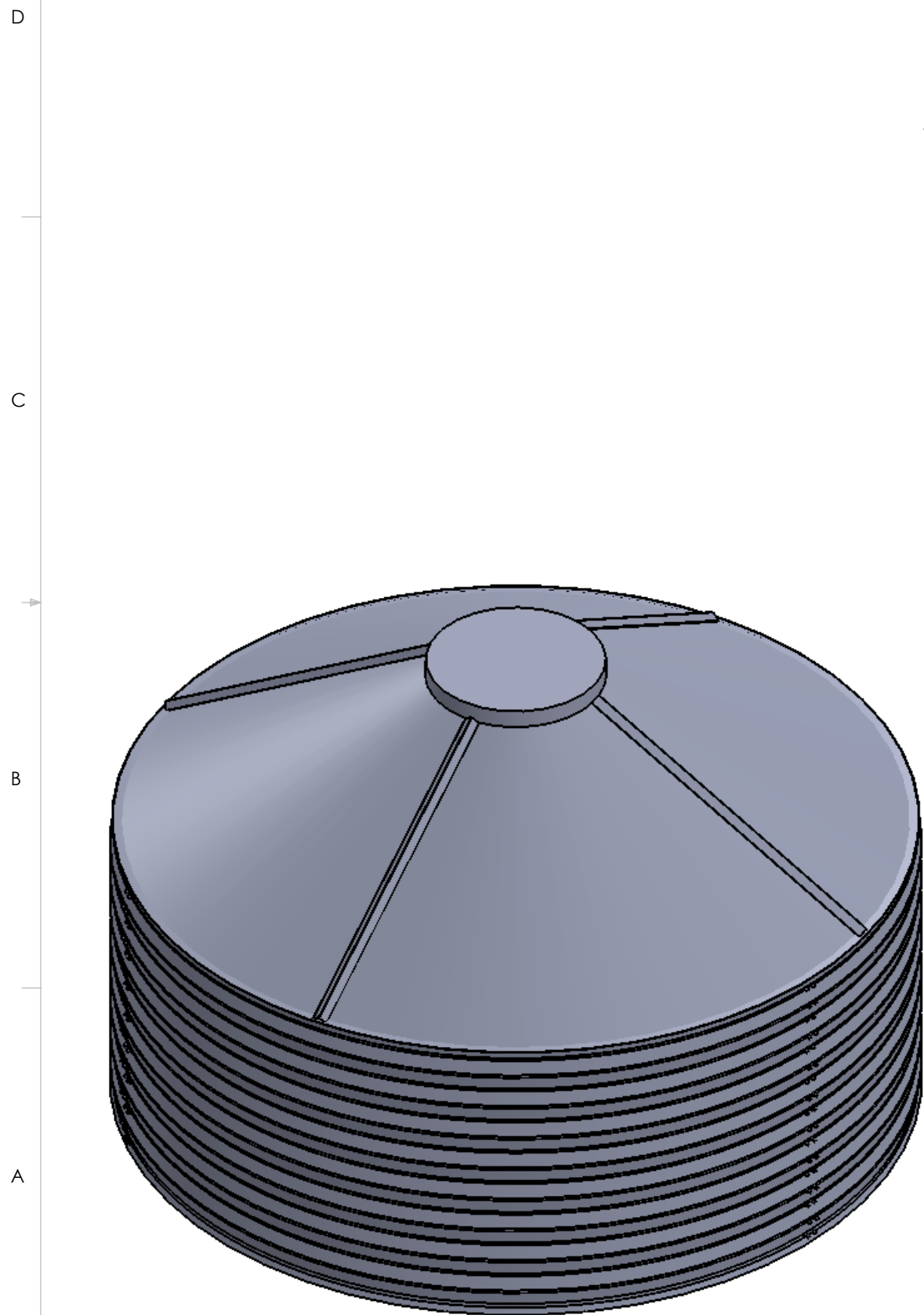
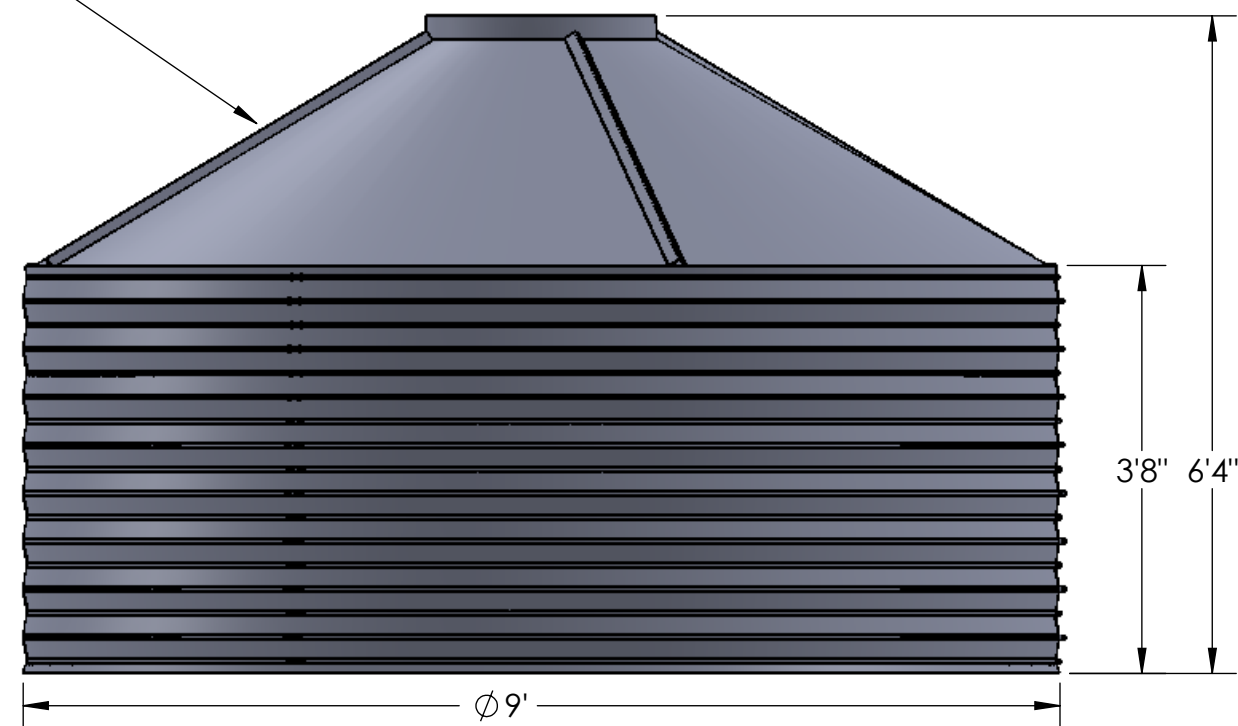



NOTES:
 1. NOMINAL CAPACITY: 1727 U.S. GALLONS



30° ROOF CONFIGURATION



UNLESS OTHERWISE SPECIFIED:		NAME	DATE	 TITLE: GENERAL ARRANGEMENT CGS 9' 1 TIER	
DIMENSIONS ARE IN INCHES		DRAWN	AP		9.28.18
TOLERANCES:		CHECKED			
FRACTIONAL $\pm 1/16"$		ENG APPR.			
ANGULAR: MACH $\pm .5^\circ$ BEND $\pm .5^\circ$		MFG APPR.			
TWO PLACE DECIMAL $\pm .02"$		Q.A.			
THREE PLACE DECIMAL $\pm .005"$		COMMENTS:			
PROPRIETARY AND CONFIDENTIAL THE INFORMATION CONTAINED IN THIS DRAWING IS THE SOLE PROPERTY OF CONTAIN WATER SYSTEMS. ANY REPRODUCTION IN PART OR AS A WHOLE WITHOUT THE WRITTEN PERMISSION OF CONTAIN WATER SYSTEMS IS PROHIBITED.		INTERPRET GEOMETRIC TOLERANCING PER: ASME Y14.5 MATERIAL MIXED FINISH N/A DO NOT SCALE DRAWING		SALES DRAWING-TANK GENERAL ARRANGEMENT	
SIZE	DWG. NO.	REV			
B	CGS-901-30	1			
SCALE: 1:20		WEIGHT: 345 LBS	SHEET 1 OF 1		